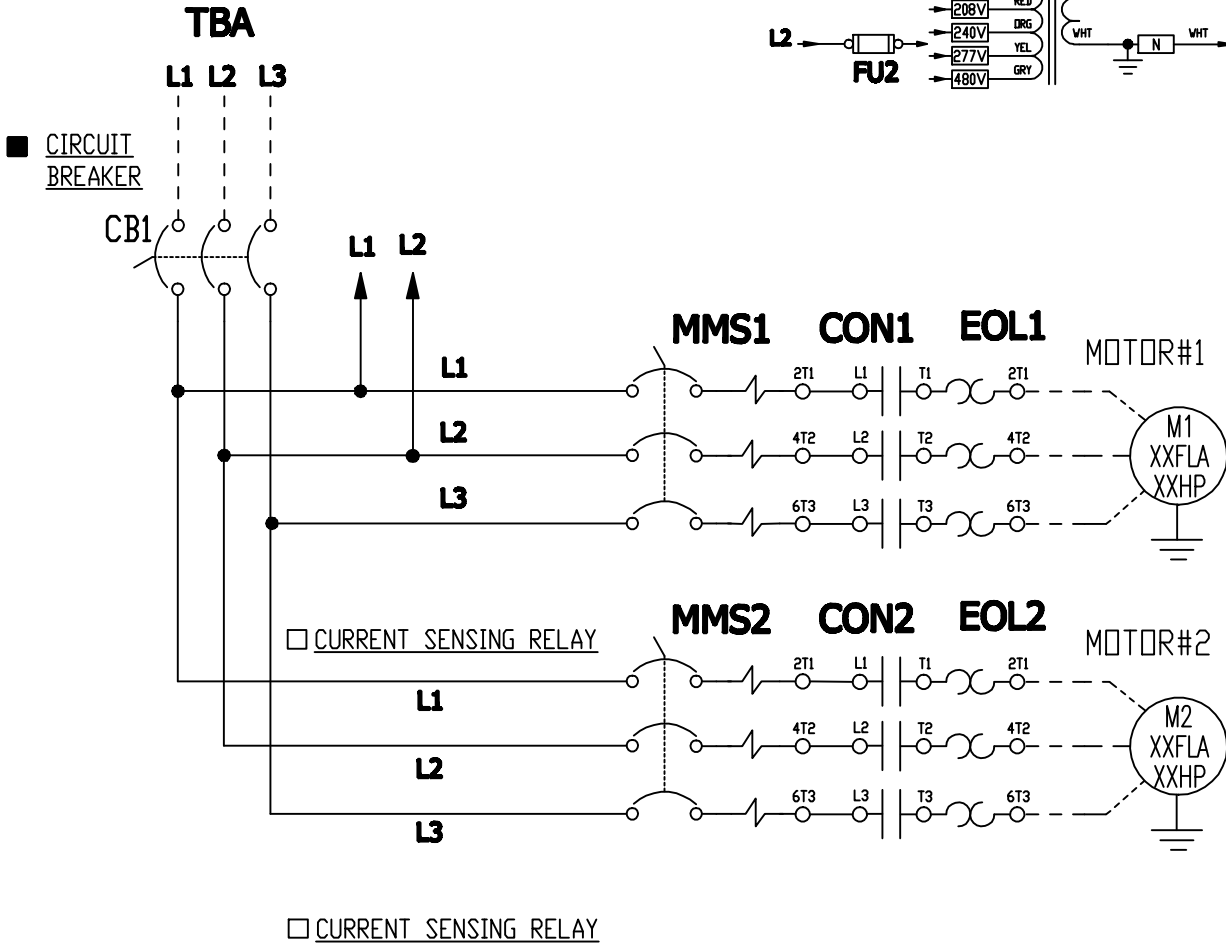
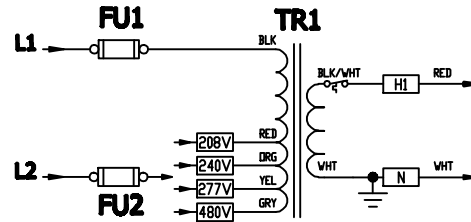


VOLTAGE  
 ■ 480VAC

TRANSFORMER SIZE  
 ■ 100VA

SECONDARY VOLTAGE  
 ■ 120 VAC

■ MULTI-TAP CPT WITH FUSED PRIMARY



- NOTE: 1. FUSES FOR FD1 ARE OPTIONAL  
 2. DASHED LINE IS A FIELD WIRING  
 3. CHECK BOX INDICATES A SELECTED OPTION  
 4. CUSTOMER TO PROVIDE SHORT CIRCUIT PROTECTION AND DISCONNECT IF NEITHER CIRCUIT BREAKER NOR FUSED DISCONNECT ARE NOT SELECTED

**CERUS INDUSTRIAL**  
 23905 NW Evergreen Parkway  
 Hillsboro, OR 97124  
 1-800-885-3787  
 www.cerusind.com

THREE PHASE TWO MOTOR STARTER			
MAIN POWER CIRCUITS			
ORDER #: SD-XXXXX			
DRAWN BY: C. CHEUNG	DWG: 2Mtr3Phase0L	DATE: 02-05-09	REV. DATE:
CHECKED BY: V. CHEDYGOV	SCALE: NO	SHEET: 1 OF 2	REV. NUMBER: 0