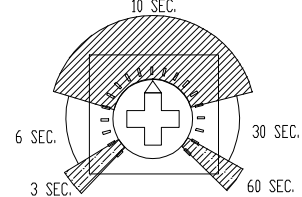
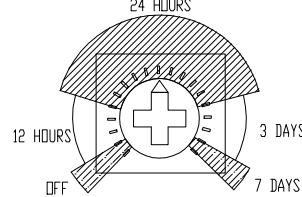


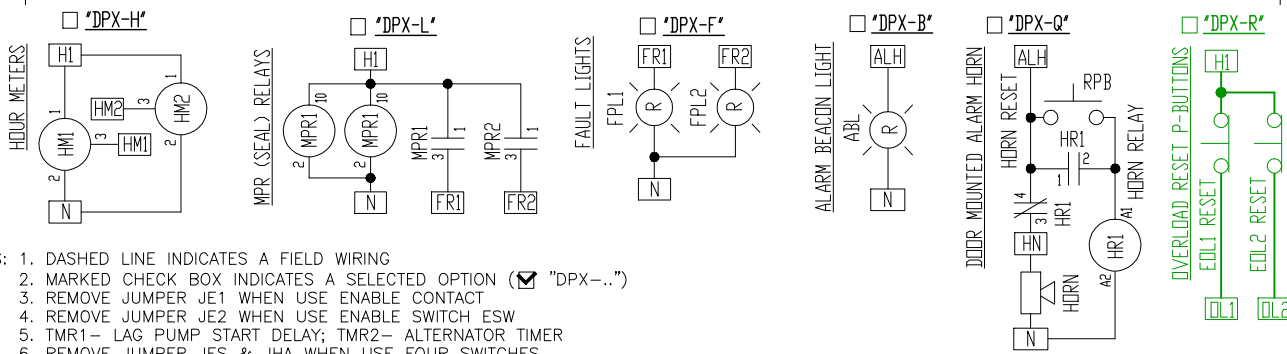
LAG PUMP START DELAY TIMER TMR1 ADJUSTMENT



ALTERNATOR TIMER TMR2 ADJUSTMENT



WIRING FOR SELECTED OPTIONS



- NOTES:
1. DASHED LINE INDICATES A FIELD WIRING
 2. MARKED CHECK BOX INDICATES A SELECTED OPTION (☑ "DPX-..")
 3. REMOVE JUMPER JE1 WHEN USE ENABLE CONTACT
 4. REMOVE JUMPER JE2 WHEN USE ENABLE SWITCH ESW
 5. TMR1 - LAG PUMP START DELAY; TMR2 - ALTERNATOR TIMER
 6. REMOVE JUMPER JES & JHA WHEN USE FOUR SWITCHES



22906 NW Evergreen Parkway
Hillsboro, OR 97124
1-800-982-3767
www.cerusind.com

ADVANCED DUPLEX PUMP STARTERS W/2-6 SWITCHES CONTROL

120VAC & 24VDC PLC I/O CIRCUITS

OUR METER, BEACON LIGHT, FAULT LIGHTS, MPR RELAYS, RESET P-BUTTONS AND HORN ARE OPTIONAL

DRAWN BY: V. CHEDYGOV

ORDER #: SD-

DATE: 08-07-09

CHECKED BY: A. PERRA

DWG: ADpx5SwStr

SHEET: 2 OF 2

PART #: ADX3R-63/J-80

FILE: Starter 2-Motor