

# ITT

BCPALT

## Residential Water Systems

# CentriPro

## AWA Alternator Panels

For Submersible and Centrifugal Pumps

### FEATURES

---

- NEMA 1 enclosure
- One or two pressure switch operation
- Auxiliary contacts – may be used for chemical feed pumps
- Includes: Two hand-off-auto switches, two pump run lights, alternator circuit and terminal blocks for external wiring connections.

#### Single Phase Features:

- Two Motor contactors
- $\frac{1}{3}$  – 5 HP, 115/230, 230V

#### Three Phase Features:

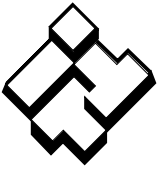
- NEMA rated, class 14, starters
- Adjustable overloads – no heaters needed
- Phase loss protection – the starter protects against single phasing
- Expanded HP range coverage



CentriPro is a brand of ITT Corporation.

[www.centripro.com](http://www.centripro.com)

*Engineered for life*



# ITT

## CENTRIPRO Residential Water Systems

### SINGLE PHASE

Model No.	HP	Volts
AWA501	1/3 – 3	115/230
AWA502	5	230

### OPTIONS

	Order No. Suffix
NEMA 3R enclosure ①	A
NEMA 4X enclosure ①	B
Condensation heaters	C
Elapsed time meters (2)	D
Cycle counters (2)	E

① Enclosures listed above are dead-front type. All switches and indicator lights would be mounted inside of panel on permanent mounting bracket.

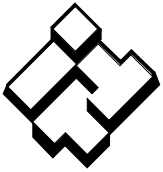
### THREE PHASE

Model No.	Amp Range	Max. HP	Voltage
AWA22510	2.5 – 10	2	200-230
AWA20918	9 – 18	3	200-230
AWA21327	13 – 27	7.5	200-230
AWA42510	2.5 – 10	5	460/575
AWA40918	9 – 18	10	460/575

### APPLICATIONS

- Duplex alternator panel may be used to alternate two submersible or centrifugal pumps.
  1. Use one switch for a simple alternating system
  2. Use two switches when the system is required to:
    - Alternate two pumps and start the second pump in the event the first pump cannot meet the system demand.
- Auxiliary contacts allow the operation of one or two chemical feed pumps, such as chlorine or ozone injectors.

**Custom panels are available for larger motors.  
Please fax requests with required enclosure ratings, HP, voltage,  
phase and any special requirements to WTG Customer Service  
at 888-322-5877.**

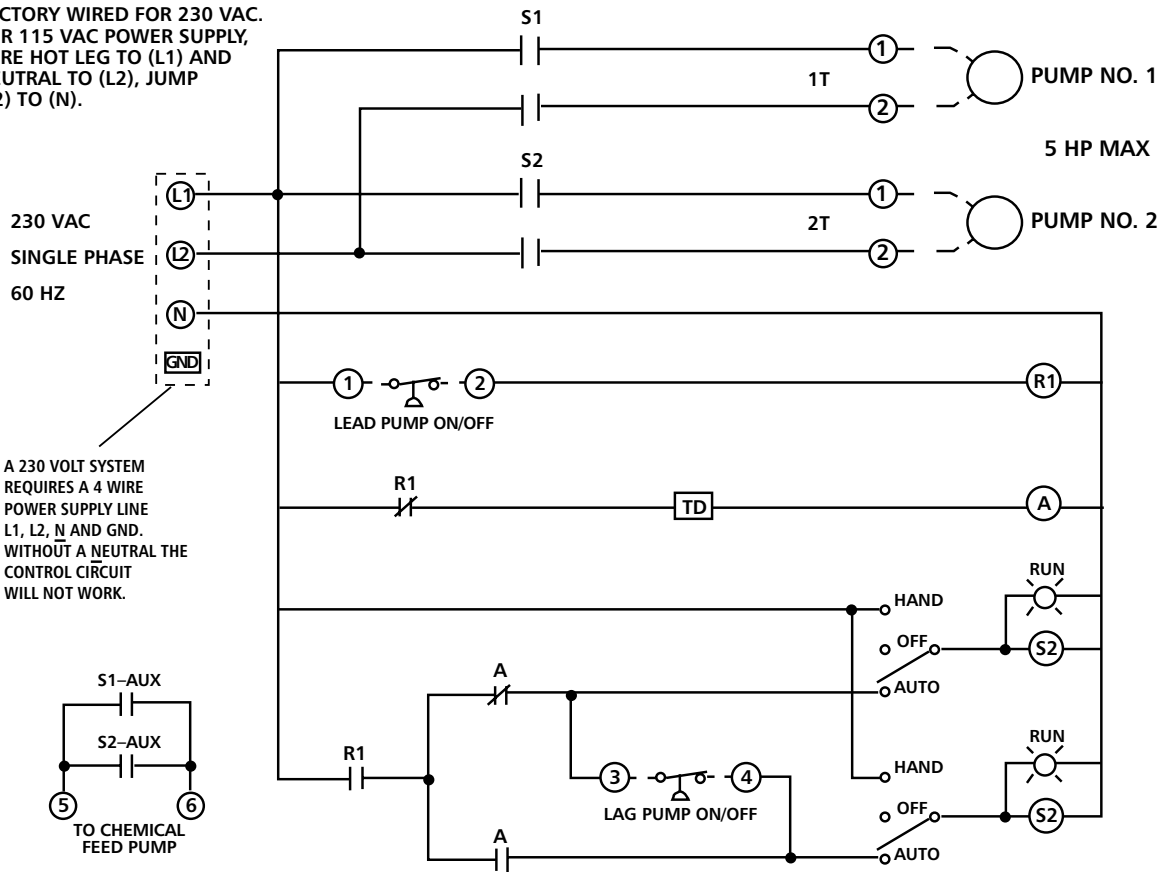


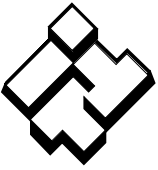
# ITT

## CENTRIPRO Residential Water Systems

# Wiring Diagrams AWA501 / AWA502

FACTORY WIRING FOR 230 VAC.  
FOR 115 VAC POWER SUPPLY,  
WIRE HOT LEG TO (L1) AND  
NEUTRAL TO (L2), JUMP  
(L2) TO (N).

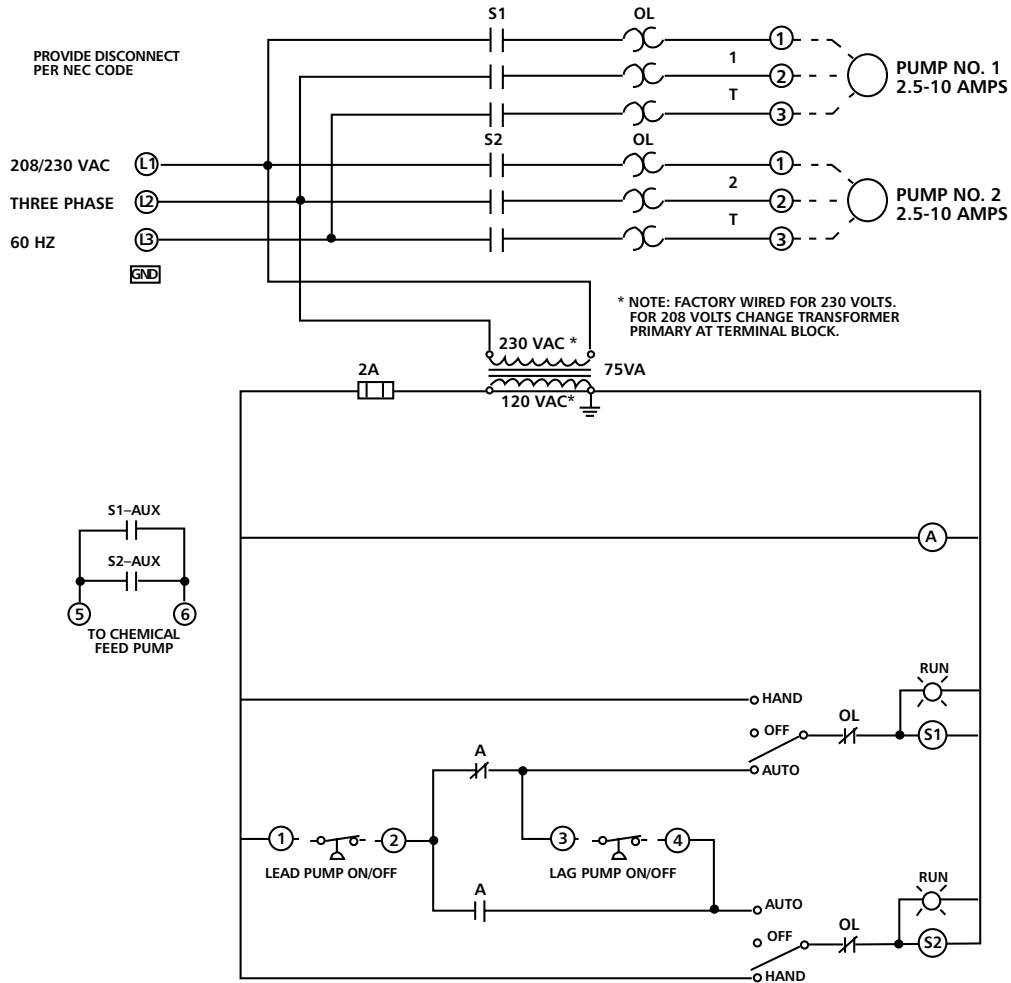




# ITT

## Residential Water Systems

# Wiring Diagrams AWA 3 Phase



CentriPro is a registered trademark of ITT Corporation. ITT, the Engineered Blocks Symbol and Engineered for Life are Registered trademarks of ITT Manufacturing Enterprises, Inc.

SPECIFICATIONS ARE SUBJECT TO CHANGE WITHOUT NOTICE.

BCPALT May, 2009  
Copyright (c) 2009 ITT Corporation

*Engineered for life*